



## FRED OVERSPRAY MASTER

PORTABLE PAINT FUME EXTRACTOR



With 10' capture arm  
1200 CFM

The FRED Overspray Master™ by Diversitech is a portable paint fume control system that is designed to capture and filter overspray from touch up painting. The compact design saves time and money by allowing touch paint work to be done safely where required.

The portable paint fume extraction unit includes a hood mounted paint pocket arrestor prefilter, four MERV 11 primary filters and 2 extruded carbon afterfilters for VOC fumes. The filters in the unit comply with the **NESHAP 319 standard for toxic chromate coatings** and primers, commonly found in aerospace painting applications.

The Overspray Master comes with a 10' XA4 Series capture arm, with external pantograph style articulation ensuring ultra-smooth repositioning and protecting the arm's components from wear and tear. Available arm lengths include 10' 13' and dual arm configurations.

### Features:

- Flexible 10' externally articulated capture arm
- 1200 CFM of Airflow
- 1.5 HP, 120v/1/60hz blower
- 1 x Paint pocket filter on hood
- 4 x MERV 11 pleated panel filters
- 2 x 24"x 24"x2" carbon afterfilter
- 15" power cord & casters

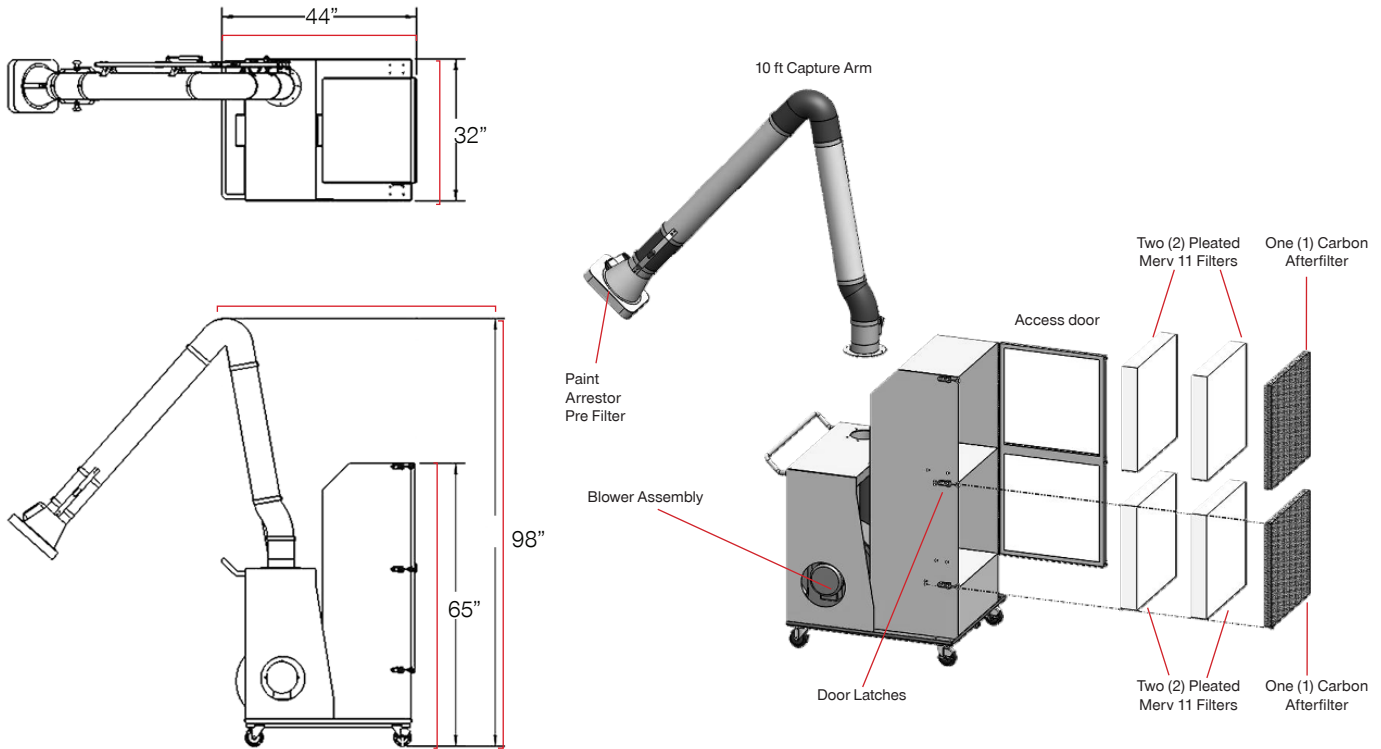
### Benefits:

- Complies with **NESHAP 319**
- Capture-at-source for cleaner air
- Compact, portable, and easy to operate

### Options:

- Explosion proof motor and starter
- 10' or 13' capture arm





## Dimensions \*\*

Model	Arm Length (ft.)	Arm Diameter (in.)	Product Dimensions (in.)		
			Width [a]	Height [C]	Length [b]
<b>FRED OVERSPRAY MASTER with externally articulated manual capture arm</b>					
FOM	10	6	32	98	44
	13	6	32	98	44

\*\* Product dimensions are based on base-models and may vary depending on selected product features. Please contact us for an accurate shipping quote.

## Technical Specifications

Model	Motor (H.P.)	Power		Airflow (CFM)	Primary	After
		Phase (hz)	@120V (amps)		Filter Type	Filter Type
<b>FRED OVERSPRAY MASTER with externally articulated manual capture arm</b>						
FRED-OM	1.5	1P/60Hz	13.2	1200	Merv 11 (4)	Carbon (2)

### HEAD OFFICE

3200 rue Guénette  
Saint-Laurent, QC, Canada  
H4S 2G5



Part of Absolent  
Air Care Group

1-800-361-3733  
info@diversitech.ca  
www.diversitech-air.com  
www.diversitech.ca