



# XA2 SERIES

ARTICULATED CAPTURE ARM



Diversitech's XA2 series fume extraction arms provide users with an ultra-smooth articulation and light-weight anodized aluminum construction for effortless re-positioning.

The Extractor capture arm features a pantograph external structure allowing the arm to be self-supporting even when fully extended and the pantograph mechanism offers easy and quick adjustment and maintenance. The heavy duty durable steel base pivots 360° and the square flanged hood with a built in handle offers a high face velocity, is externally adjustable and is available with an optional LED light kit.

With Diversitech's line of fume exhaust arms, blowers & booms, you can create a capture-at-source solution for fumes & dust that adequately protects your workers. By capturing airborne contaminants as they are produced, these extraction arms & blowers help you stay OSHA compliant, and ensure that your working environment is clean and safe.

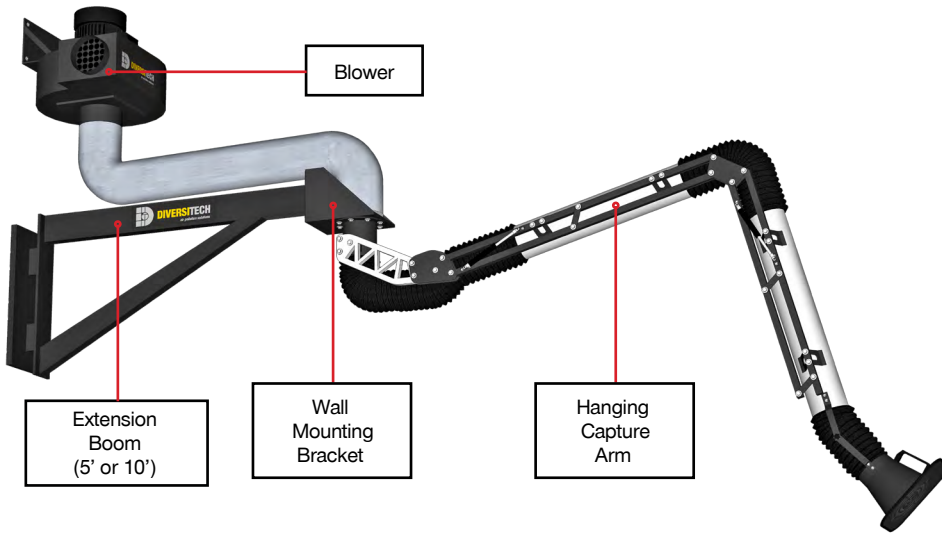
## Features:

- Smooth, low-friction movement
- Flanged suction hood
- Wall mounted, column mounted or portable
- Externally articulated, gas spring loaded
- Industrial swivel-base

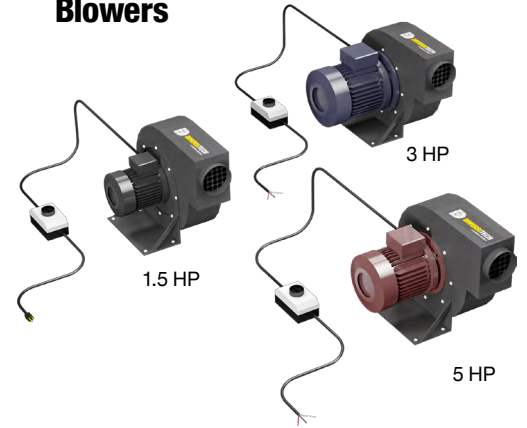
## Options:

- Blowers (1500 to 2500 CFM)
- Hood mounted LED light kit
- Wall mounting bracket
- Extension booms (5' or 10')





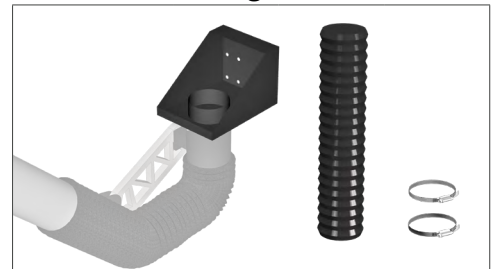
**Blowers**



**Dimensions\*\***

Model	Arm Length (ft.)	Arm Diameter (in.)	Net Weight (lbs.)	Product Dimensions (in.)		
				Width (in.)	Height (in.)	Length (in.)
XA2-6H06	6.5	6	35	13	14	78
XA2-6H10	10	6	45	13	14	120
XA2-6H13	13	6	70	13	14	158
BOOM-6-5	---	---	105	13	44	85
BOOM-6-10	---	---	135	13	44	140
BR-015	---	---	95	19	8	22
BR-030	---	---	110	19	8	22
BR-050	---	---	135	23	11	27

**Remote Mounting Kits**



Part Number	Bracket	Flex Hose (ft.)	Hose Clamps
XA2-WMB	1	---	---
A-ECO-RMK6	1	6	2
A-ECO-RMK12	1	12	2

\*\* Product dimensions are based on base-models and may vary depending on selected product features. Please contact us for an accurate shipping quote.

**Technical Specifications**

Blower Model	Motor (H.P.)	Phase (hz)	Power				Airflow (CFM)	Cord Length (ft.)	Type
			@120V (amps)	@230V (amps)	@460V (amps)	@575V (amps)			
BR-015	1.5	1/60Hz	14.2	---	---	---	1200	6	TEFC
BR-030	3.0	3/60Hz	---	8.0	4.0	3.1	1800	6	TEFC
BR-050	5.0	3/60Hz	---	12.0	6.0	4.6	2500	6	TEFC

**HEAD OFFICE**

1200 55<sup>th</sup> Avenue  
Montreal, QC H8T 3J8

**DISTRIBUTION CENTERS**

**CANADA** Montreal, QC Toronto, ON  
**UNITED STATES** Trenton, NJ Chicago, IL Reno, NV



An Absolent Group Company

